



VENTILATING FAN

HH - 101

Installation and Maintenance Instructions

**THESE INSTRUCTIONS MUST BE READ FULLY
BEFORE COMMENCING INSTALLATION**

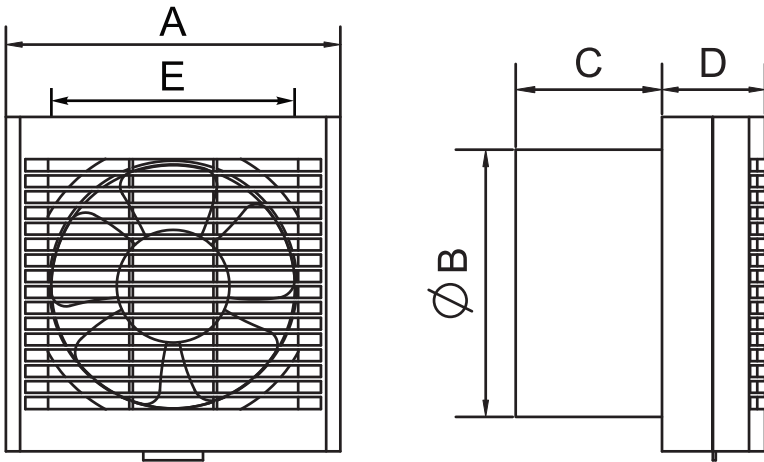
SPECIFICATIONS

Model	Size (in/mm)	Volt (V)	Freq (Hz)	Input Power (W)	Air Volume (m ³ /h)		Noise dB(A) Apart	
					Outlet	Inlet	1.5m	1.0m
HH - 101	6/150	220	50	24	223	223	45	39.5

Made in China ; IPX4 ; Comply with IEC 60335-2-80:2015 ; CE Certification

Table 1

DIMENSION (mm)

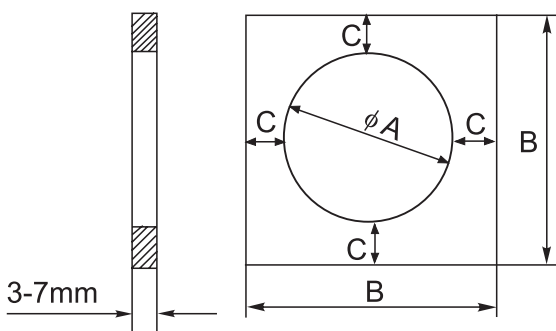


Model	A	B	C	D	E
HH - 101	224	176	100	69	150

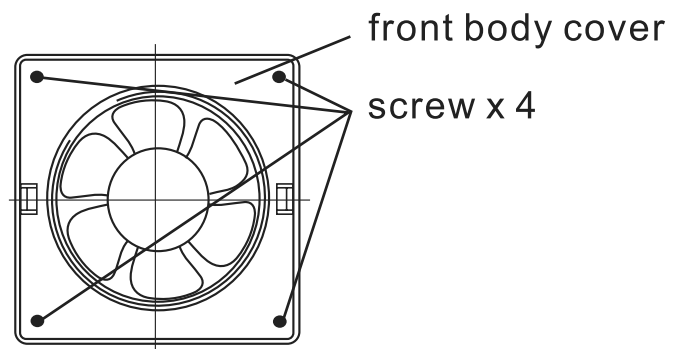
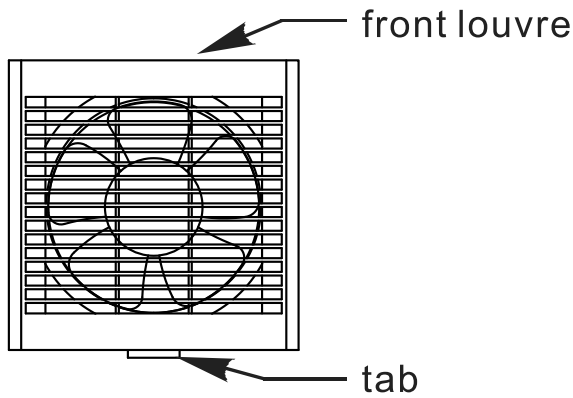
Table 2

INSTALLATION IN GLASS

Step 1: Make a hole in the glass according to dimension A. Tolerance $\pm 1\%$

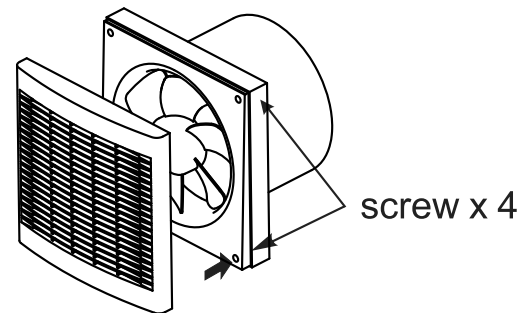
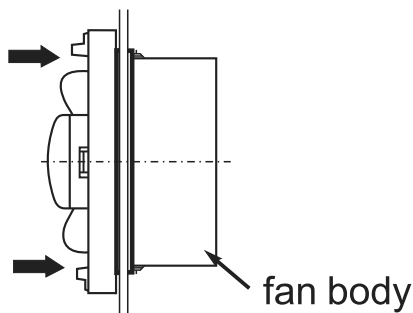


Model	Installation		
	ϕA	B	C
HH - 101	185	≥ 390	≥ 100



Step 2: To open the louvre, pull the bottom tab forward.

Step 3: Remove the 4 screws and the front body cover.



Step 4: Centralise the fan body into the hole in the glass.

Step 5: Fasten the screws of the installation clips. Do not over-tighten.

Step 6: Fasten the 4 screws of the front body cover and install the front louvre.

INSTALLATION IN PANEL

Maximum panel thickness – 80 mm. Make hole in wall as per Dim. A in Step 1, and fit fan into opening. Remove the 4 screws as in Step 3 and fasten in position with 50mm long screws of the same diameter as the removed ones.

WIRING DIAGRAM

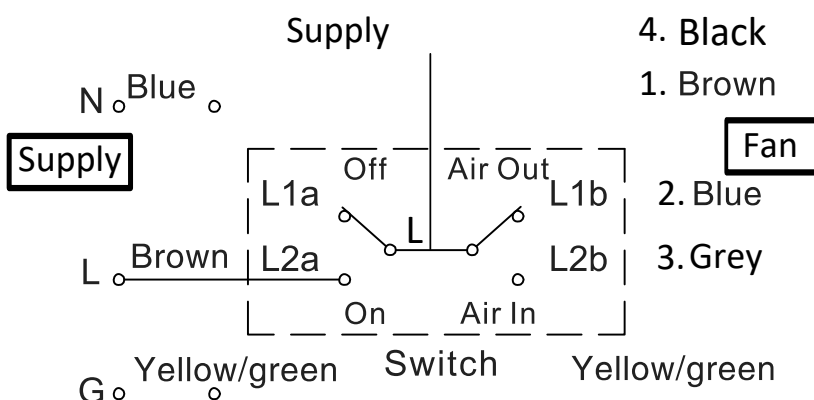
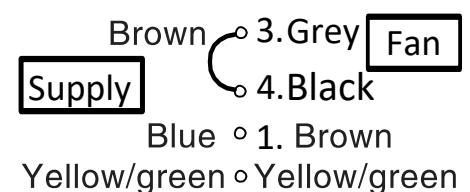
1+2 = Air outlet
 1+3 = Air inlet
 1+4 = Shutter

No Switch/Air inlet



OR

No Switch/Air outlet



Website heyhey.ltd shows wiring photo.

GENERAL

1. It is important that these Installation and Maintenance instructions are fully adhered to.
2. The fan is available for mounting on window or wall.
3. The fan should be installed at 2.3m above the floor.
4. When the ventilating fan is connected with the power circuit, all-polarity switch with at least 3mm clearance between contacts must be in live line. Green-and-yellow color wire of power supply should be earthed.
5. The fan is not suitable for corrosive or explosive environment.
6. Precautions must be taken to avoid the back-flow of gases into the room from the open flue of gas or other fuel-burning appliances.
7. This product is not designed to be used by persons (including children) with reduced physical, sensory or mental capabilities, or lack of experience and knowledge, unless they have been given supervision or instruction regarding use of the appliance by a person responsible for their safety. Children should be supervised to ensure that they do not play with the appliance.
8. To avoid hazards, any damaged cables must be replaced by the manufacturer.
9. This product is suitable for use in residential / commercial applications.
10. Any abnormal noise, smell or response is found after supply of power, the fan should be powered off and be checked by qualified person

MAINTENANCE

1. Inspection of the fan at least once every 12 months is recommended to ensure that the motor, fan blades, and guards are clean. The fan must be switched off before removing the guard. Any build-up of dust should be removed using a non-abrasive cleaner.
2. All fastenings should be checked for tightness.
3. Bearings are of the “sealed for life” type and will not need inspection.